

Oyster Shell

bt-y028



Product Specifications

| | |
|--------------------------------------|------------------------------------|
| model | Bt-Y028 |
| width | 580 mm |
| depth | 380 mm |
| height | 230 mm |
| description | washbasin |
| tap fitting / tap hole remark | suitable for one hole tap fittings |
| installation | under counter washbasin |
| overflow remark | with overflow |
| material | sanitary Ceramics |
| shape | oval |
| color | white |



Product Features

- All washbasins are made from the innovative ceramic material
- bthaüs offers different types of washbasin in sizes 36 to 150 cm
- The flush-sitting integrated drain valve highlights the premium character
- Numerous combination options for bathroom furniture and washbasins

Material

bthaüs' sanitary ceramics are sustainably manufactured using natural materials. This premium quality material is then fired up at 1200 °C to meet the highest requirements in durability and hygiene. Additionally, different glazes, such as, CeramicPlus and AntiBac, are added to the sanitary ceramics to ensure antibacterial protection and dirt-repellent surfaces.

- This premium quality material is used to craft all bthaüs' washbasins, toilets and bidets.
- Highly resistant to knocks, scratches and impacts.
- Durable and hygienic, due to the additional glazes

Product Type

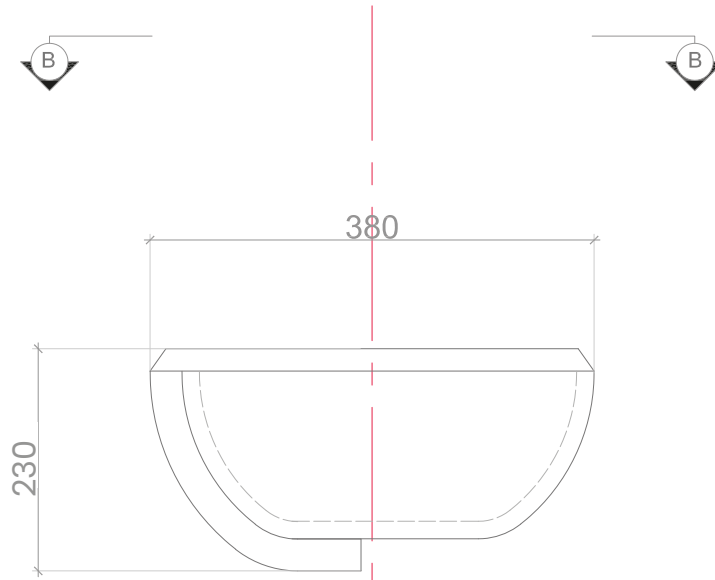
This washbasin is as functional as it is beautiful. It is directly mounted undercounter, where all the drain fittings are neatly hidden from view with matching coverings. And since the fittings are installed directly onto the basin, all you can see is a flawless fountain that rejuvenates you with the elixir of life. Water.

Cleaning and Care

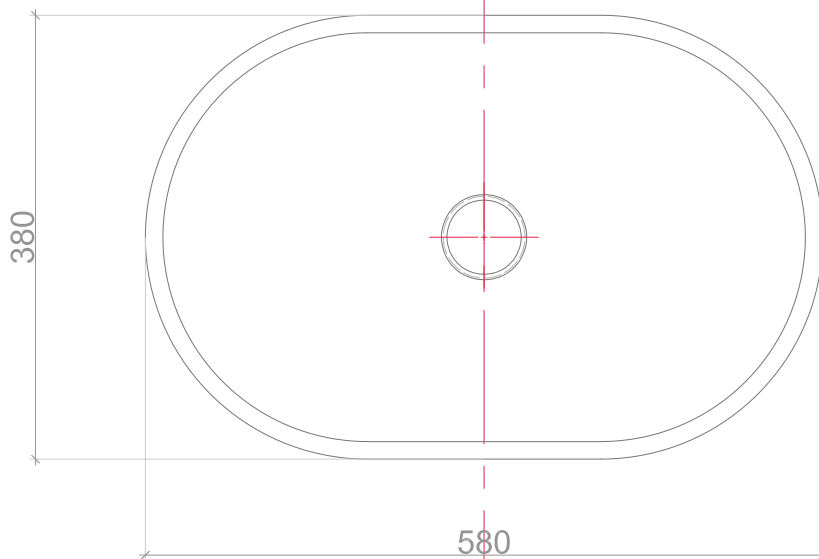
bthaüs' sanitaryware is generally resistant to household acids and alkalis, therefore, a simply damp cloth will suffice for daily care. Bathroom cleaners are ideal for water marks, residual grease, soap and limescale deposits. For tough stains, CERAMIC The modern classic Ceramic 5 Particular is recommended for residue or stains containing high amounts of fluorine. For even tougher stains or residues, a non-abrasive liquid or cream bathroom cleaner, with a soft sponge will do the trick.

Oyster Shell

bt-y028



Front View



Plan - B